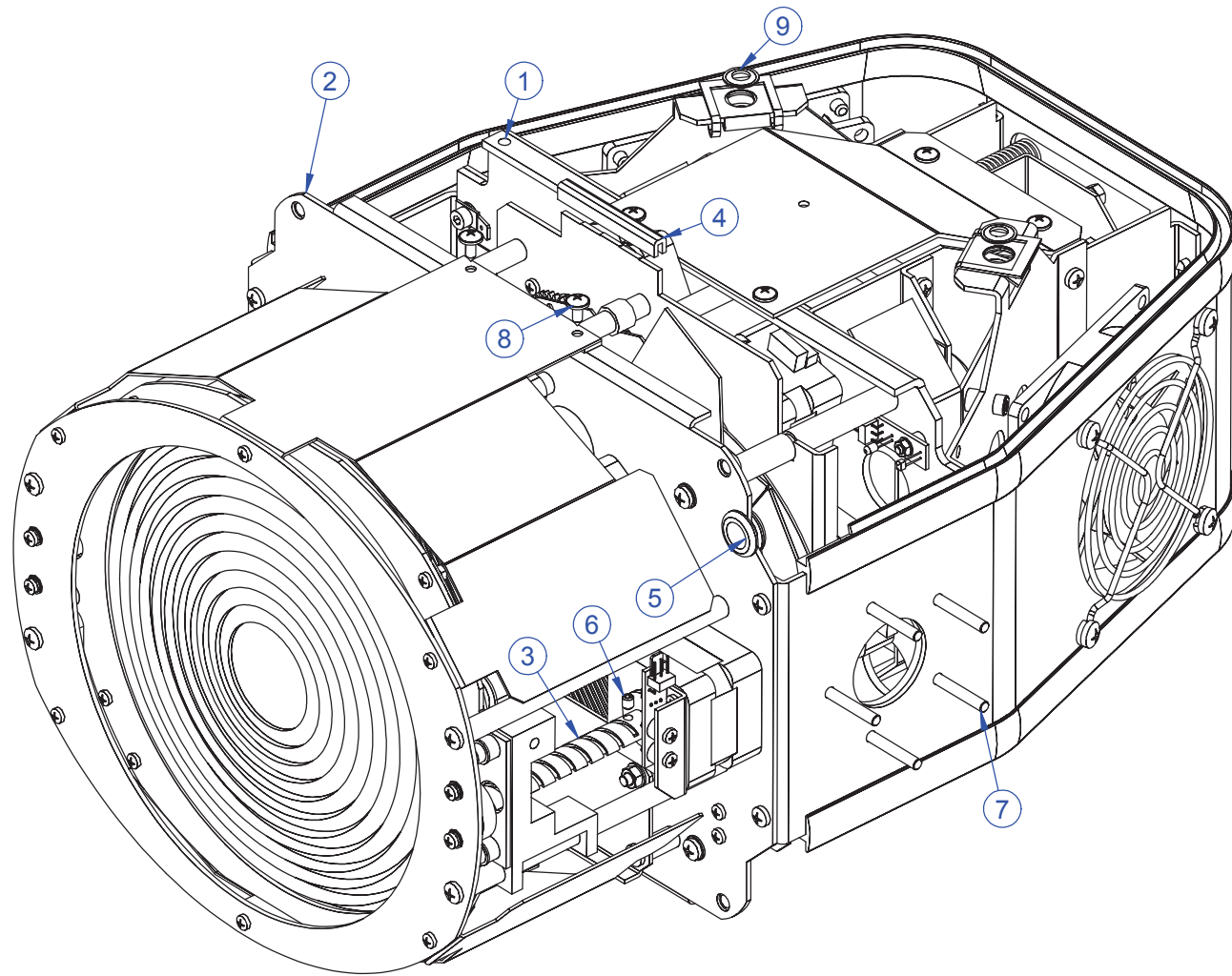
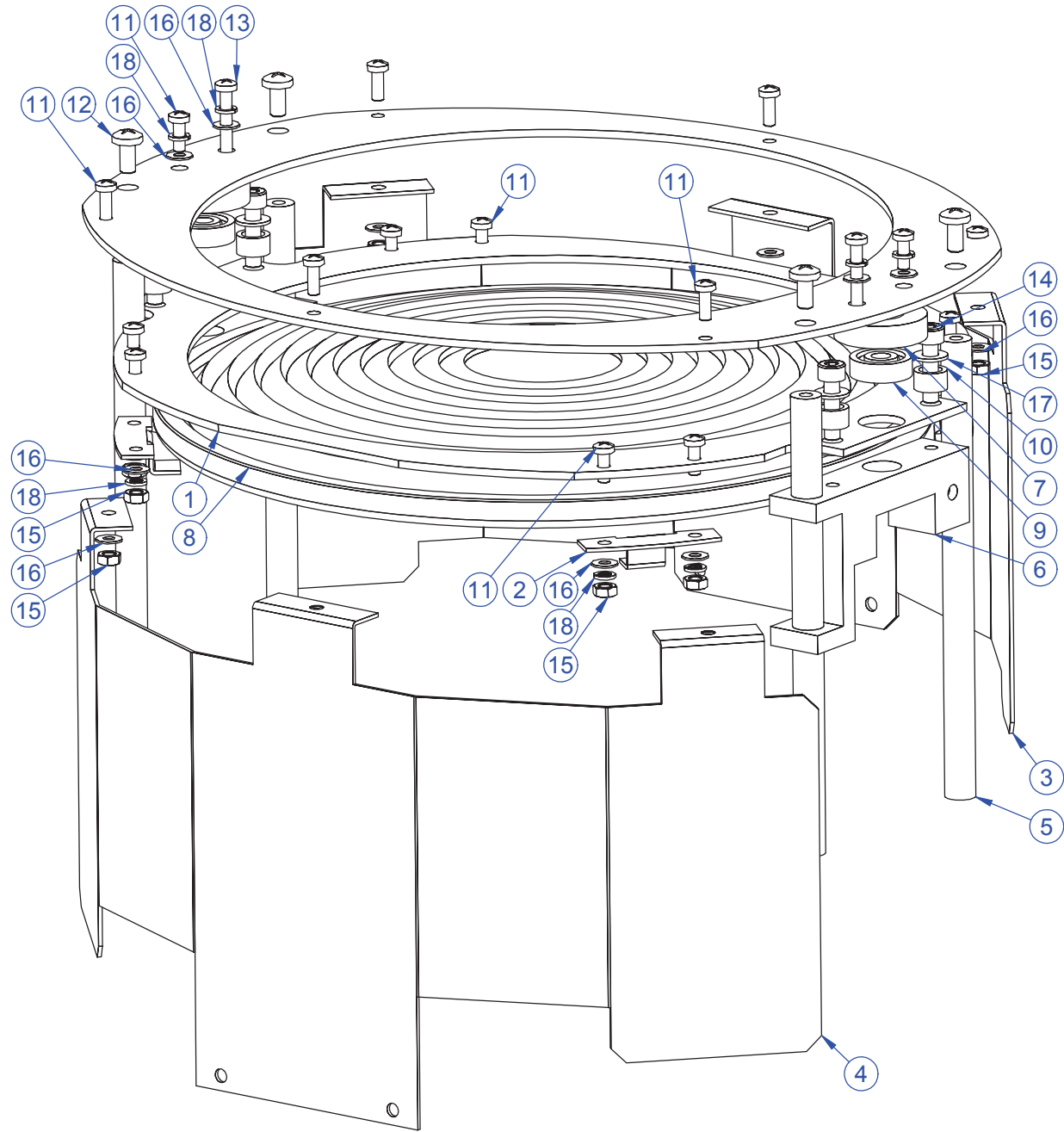


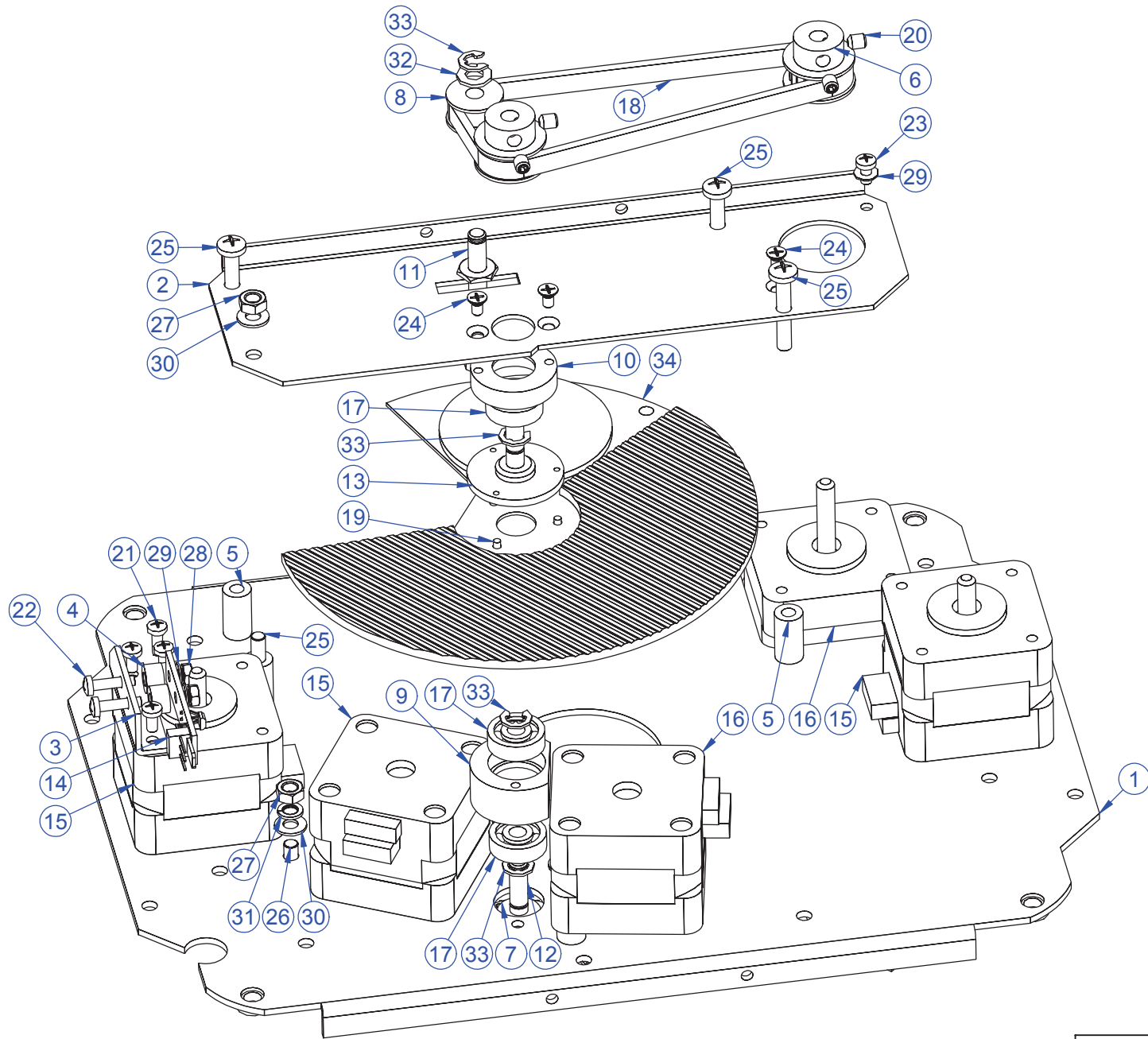
PRODUCT: Wash 575 XT		
TITLE: Covers		
DOCUMENT: 99010513		
VERSION: B	DATE: 3.4.2003	SHEET: 1 OF 14



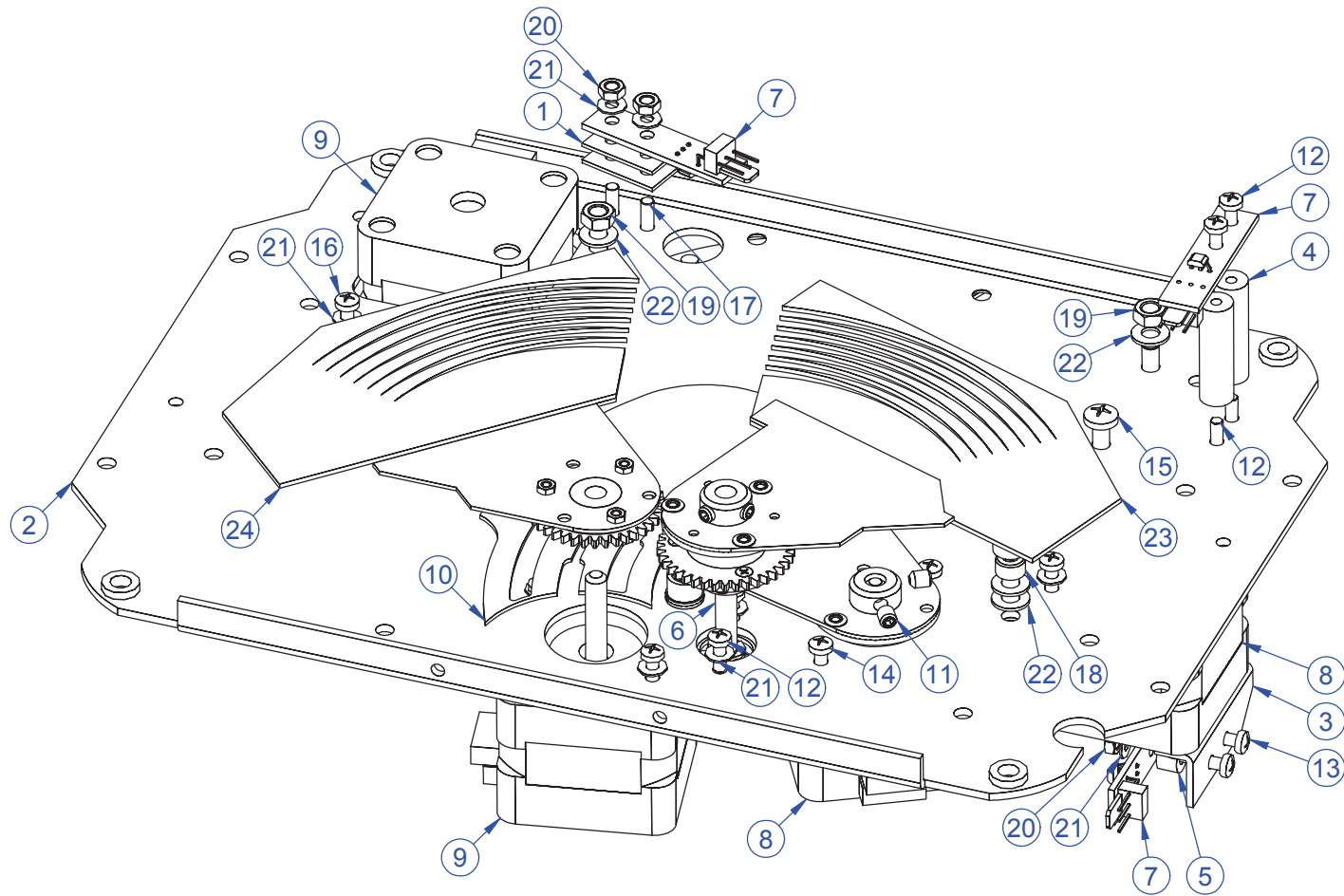
PRODUCT: Wash 575 XT		
TITLE: Assembly of head		
DOCUMENT: 99010512		
VERSION: B	DATE: 3.4.2003	SHEET: 2 OF 14



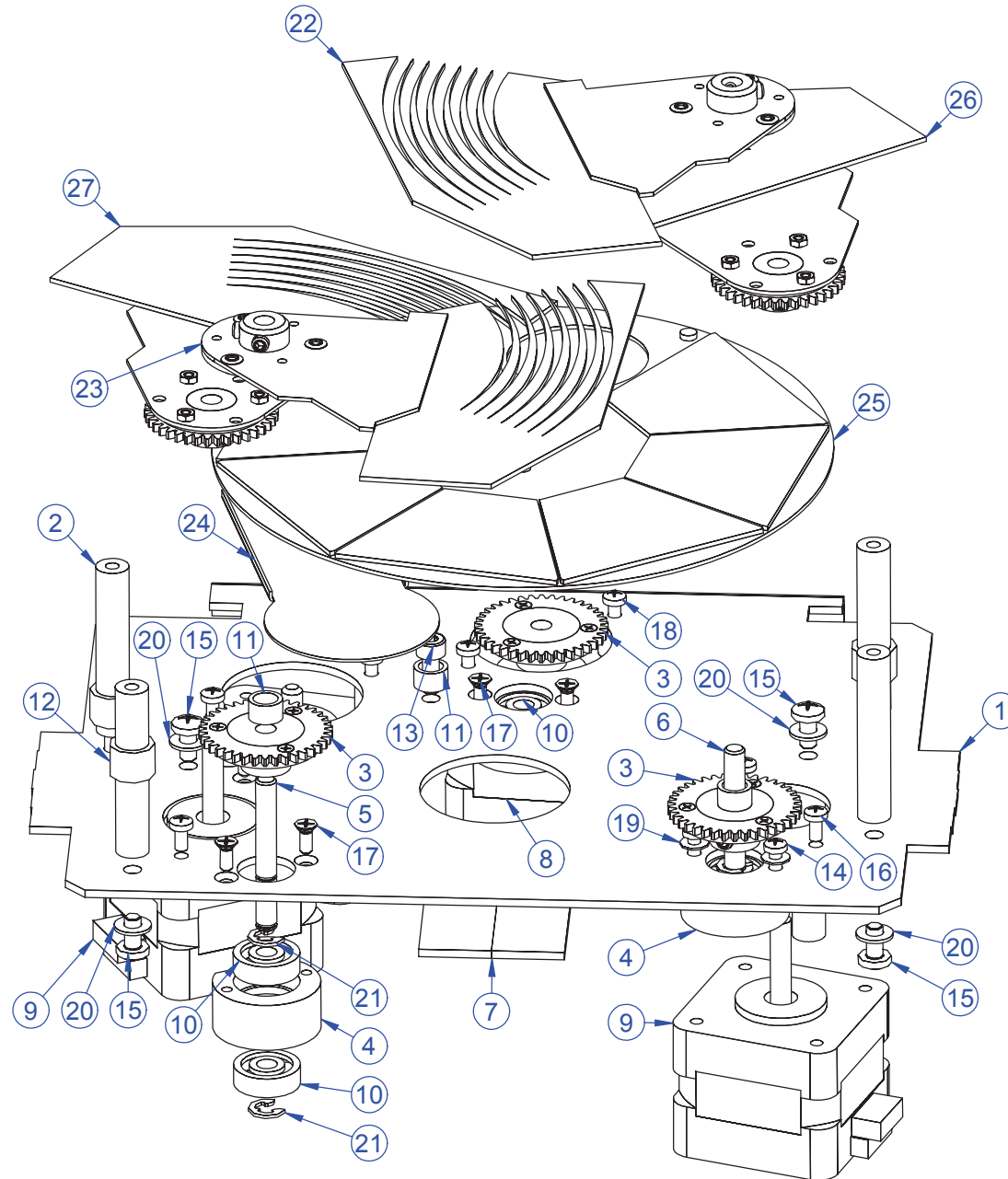
PRODUCT: Wash 575 XT		
TITLE: Fresnel assembly		
DOCUMENT: 99010106		
VERSION: B	DATE: 3.4.2003	SHEET: 3 OF 14



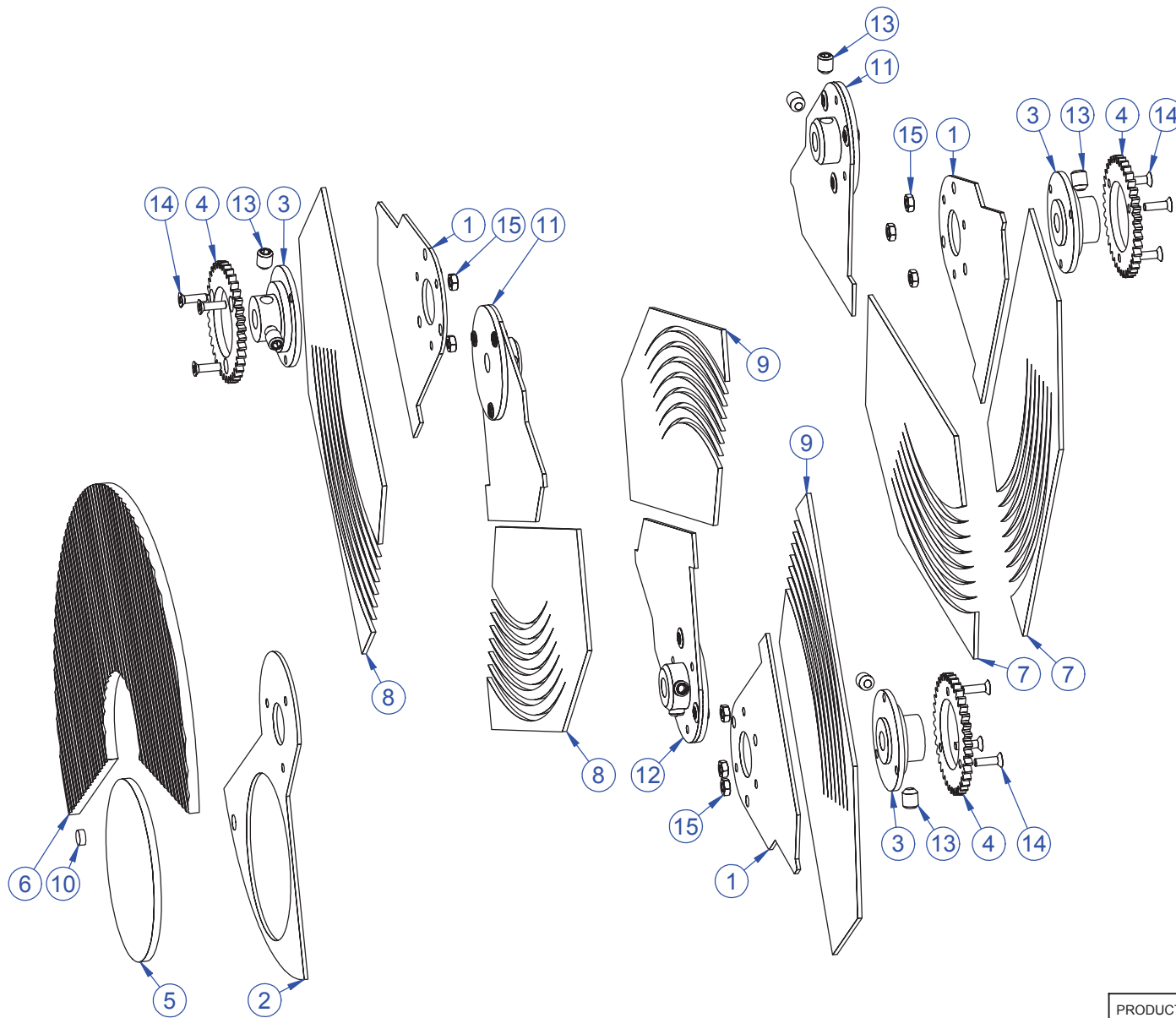
PRODUCT: Wash 575 XT		
TITLE: Effect wheel module		
DOCUMENT: 99010060		
VERSION: B	DATE: 3.4.2003	SHEET: 4 OF 14



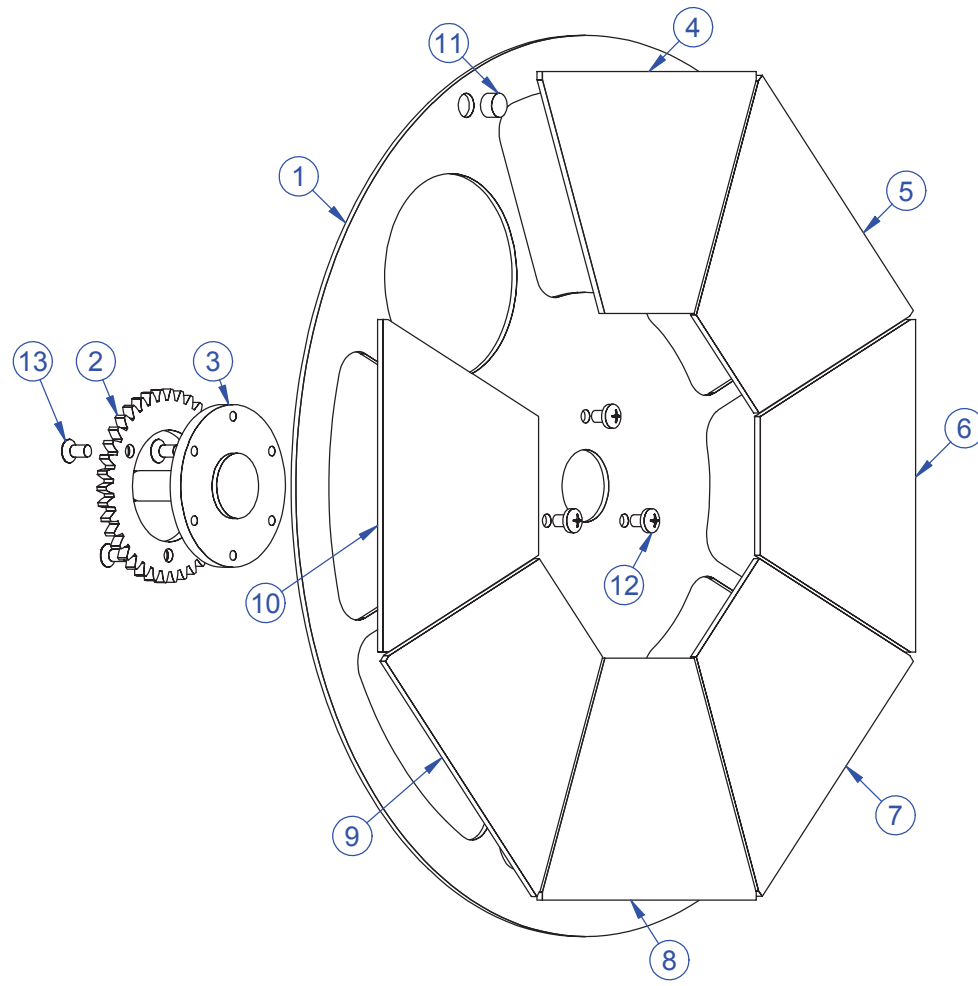
PRODUCT: Wash 575 XT		
TITLE: Colour module No.1		
DOCUMENT: 99010060		
VERSION: B	DATE: 3.4.2003	SHEET: 5 OF 14



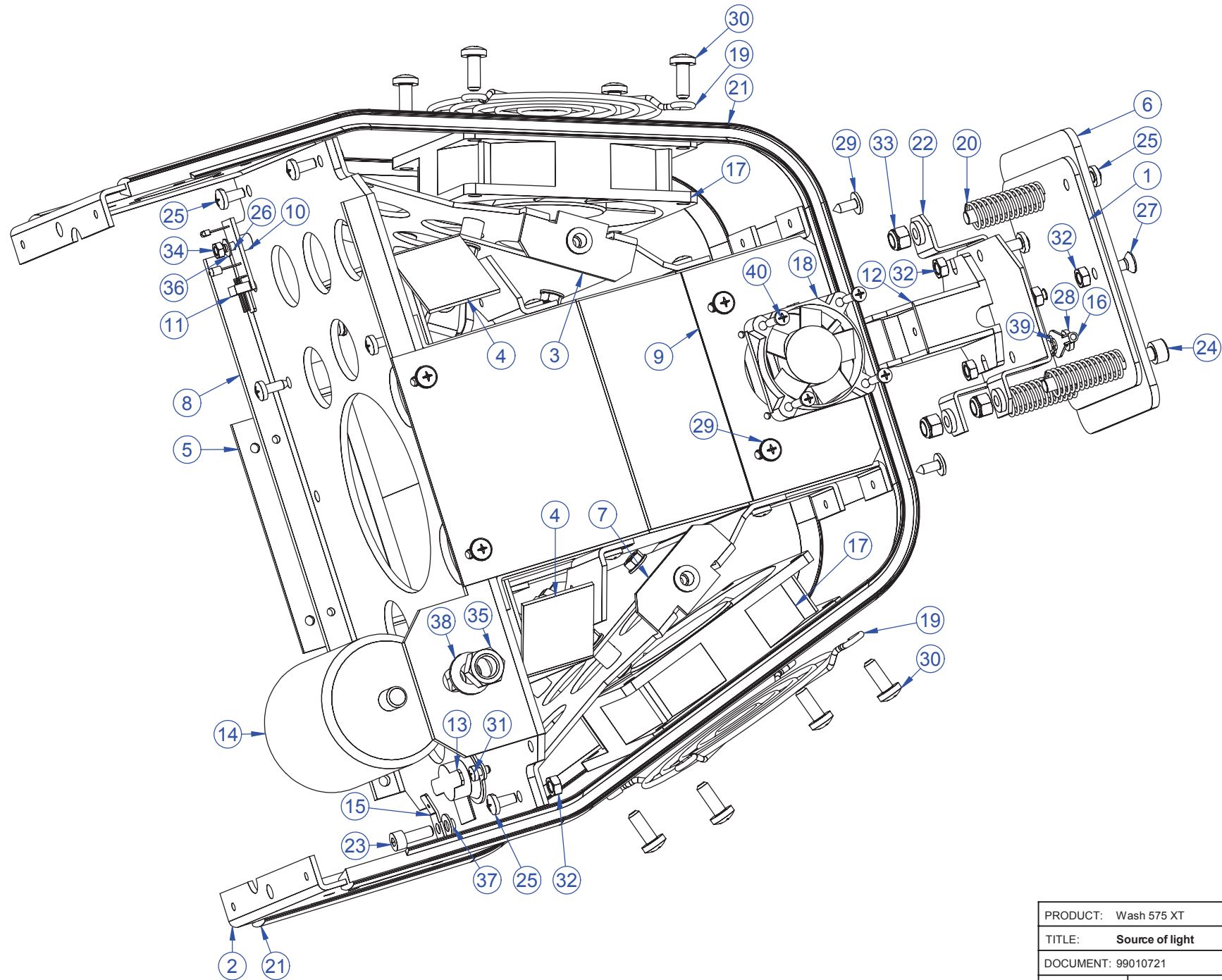
PRODUCT: Wash 575 XT		
TITLE: Colour module No2		
DOCUMENT: 99010060		
VERSION: B	DATE: 3.4.2003	SHEET: 6 OF 14



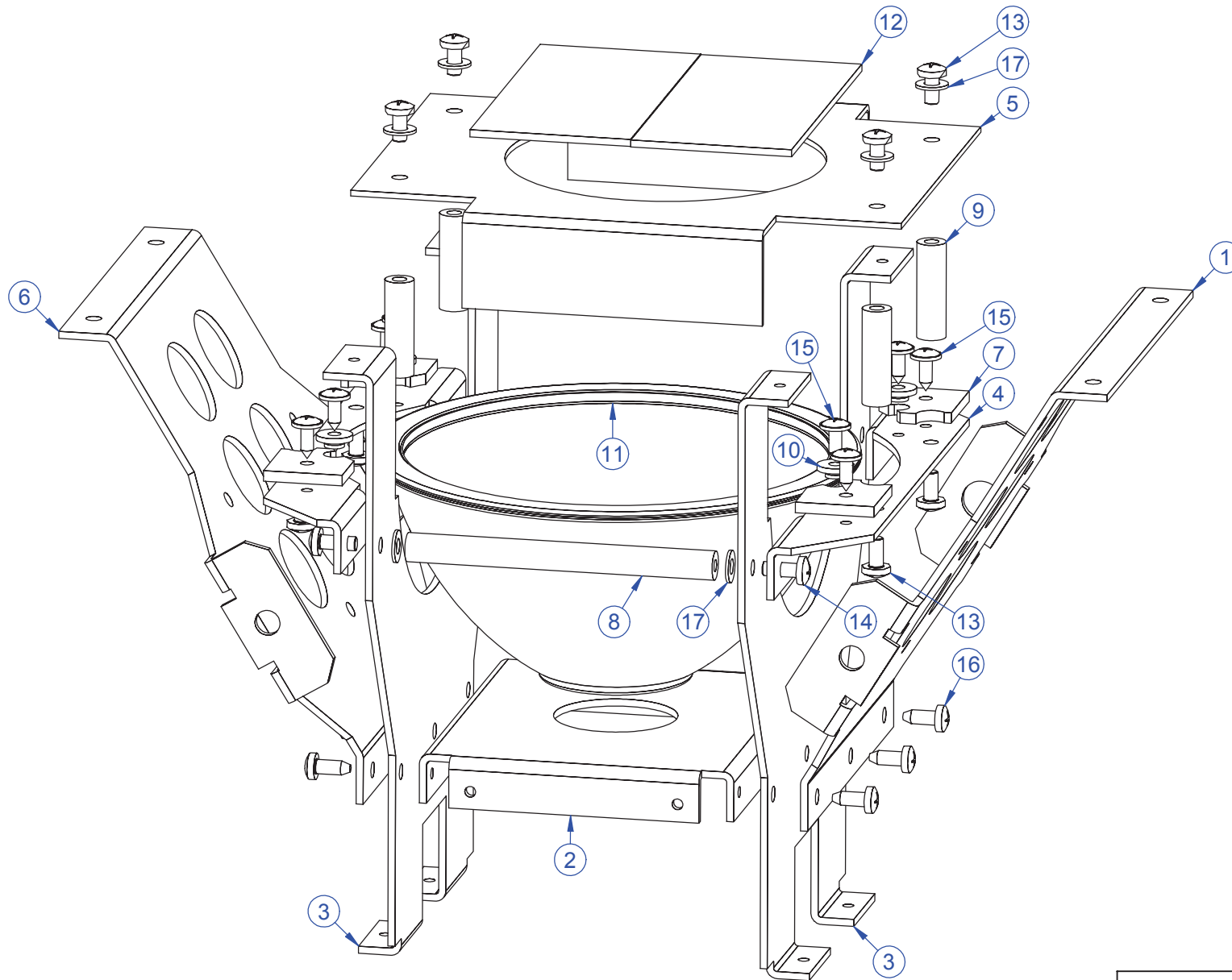
PRODUCT: Wash 575 XT		
TITLE: Effect wheel, dichroic filters		
DOCUMENT: 99010512		
VERSION: B	DATE: 3.4.2003	SHEET: 7 OF 14



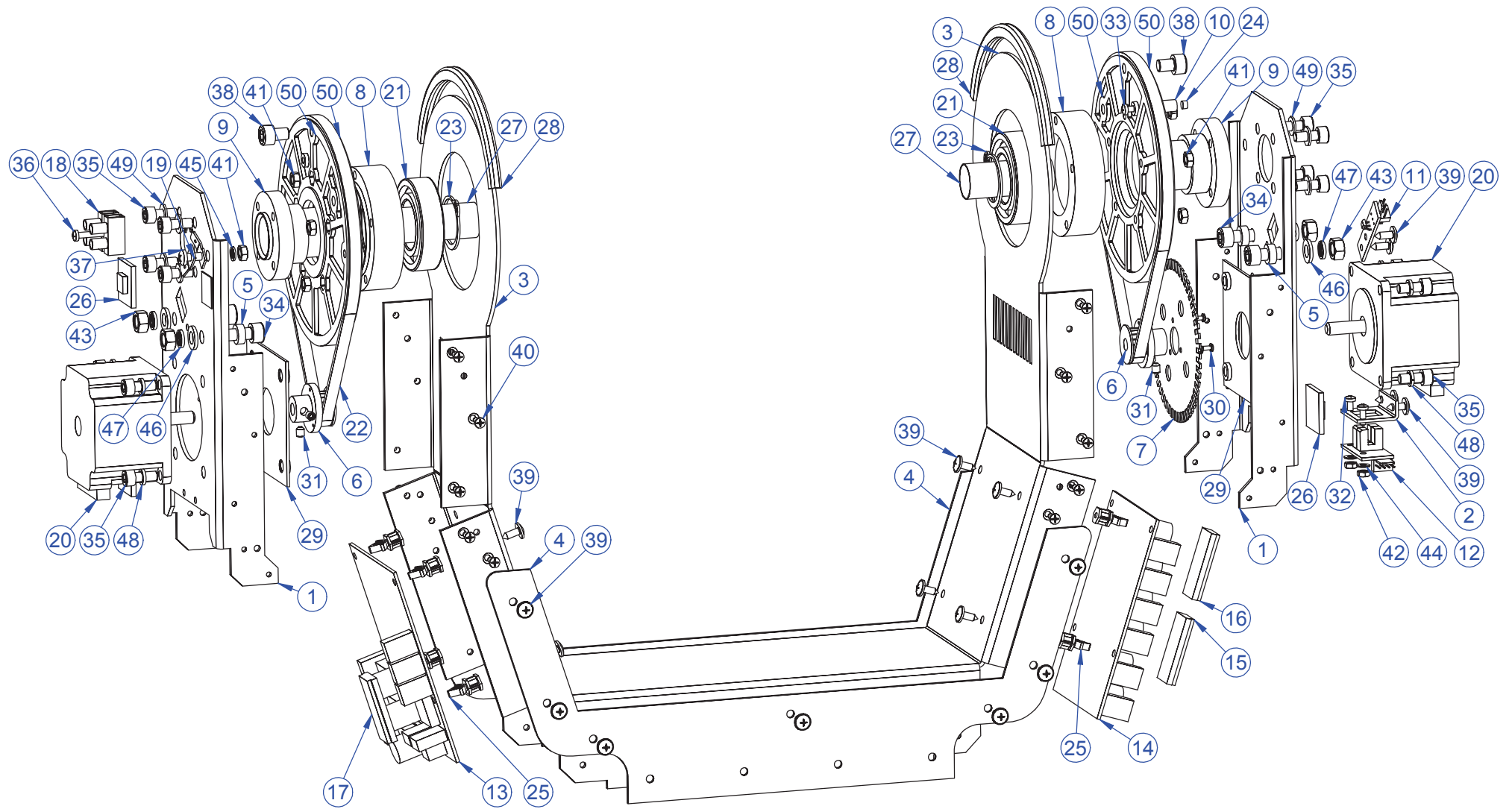
PRODUCT: Wash 575 XT		
TITLE: Colour wheel		
DOCUMENT: 99010067		
VERSION: B	DATE: 3.4.2003	SHEET: 8 OF 14



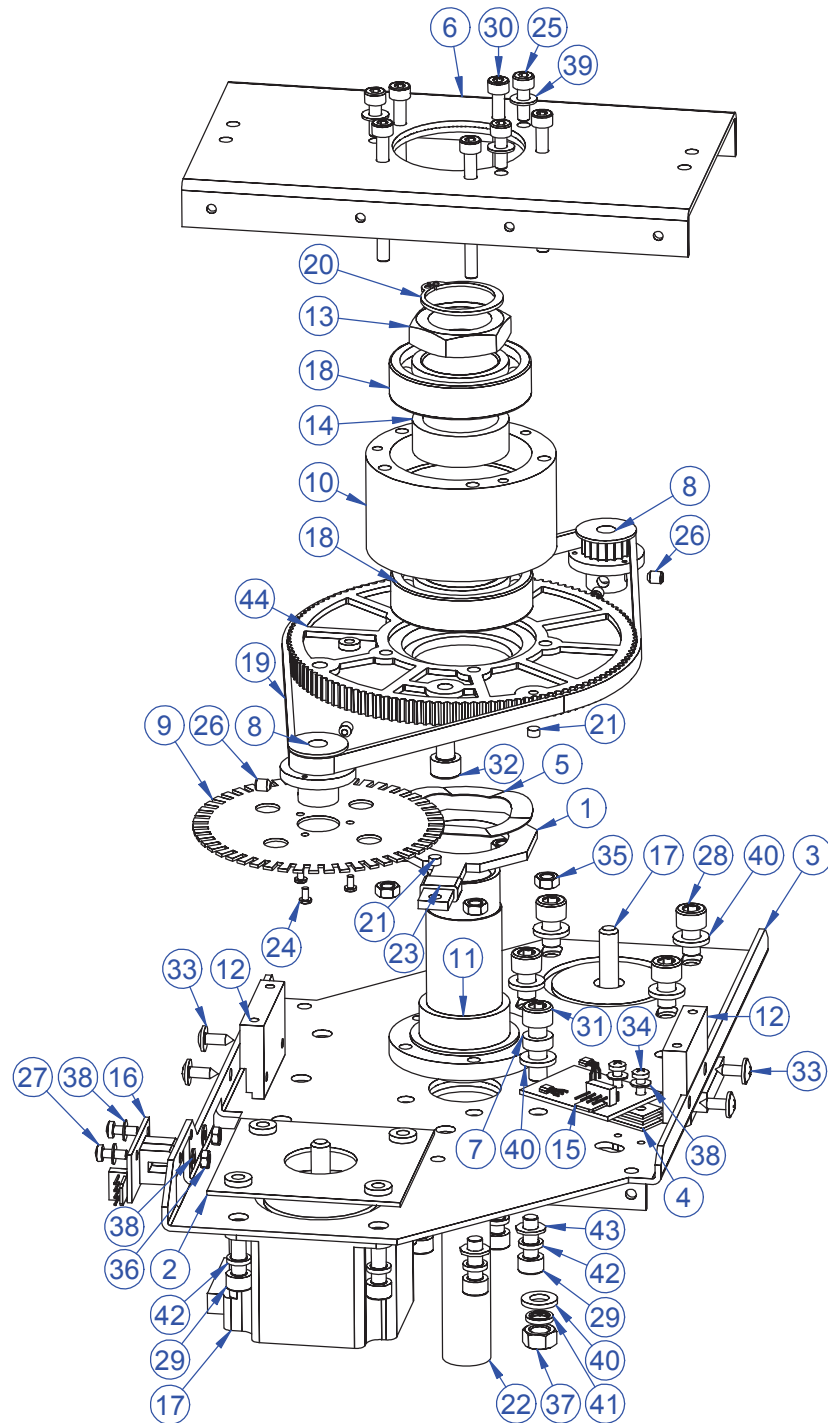
PRODUCT: Wash 575 XT		
TITLE: Source of light		
DOCUMENT: 99010721		
VERSION: B	DATE: 3.4.2003	SHEET: 9 OF 14



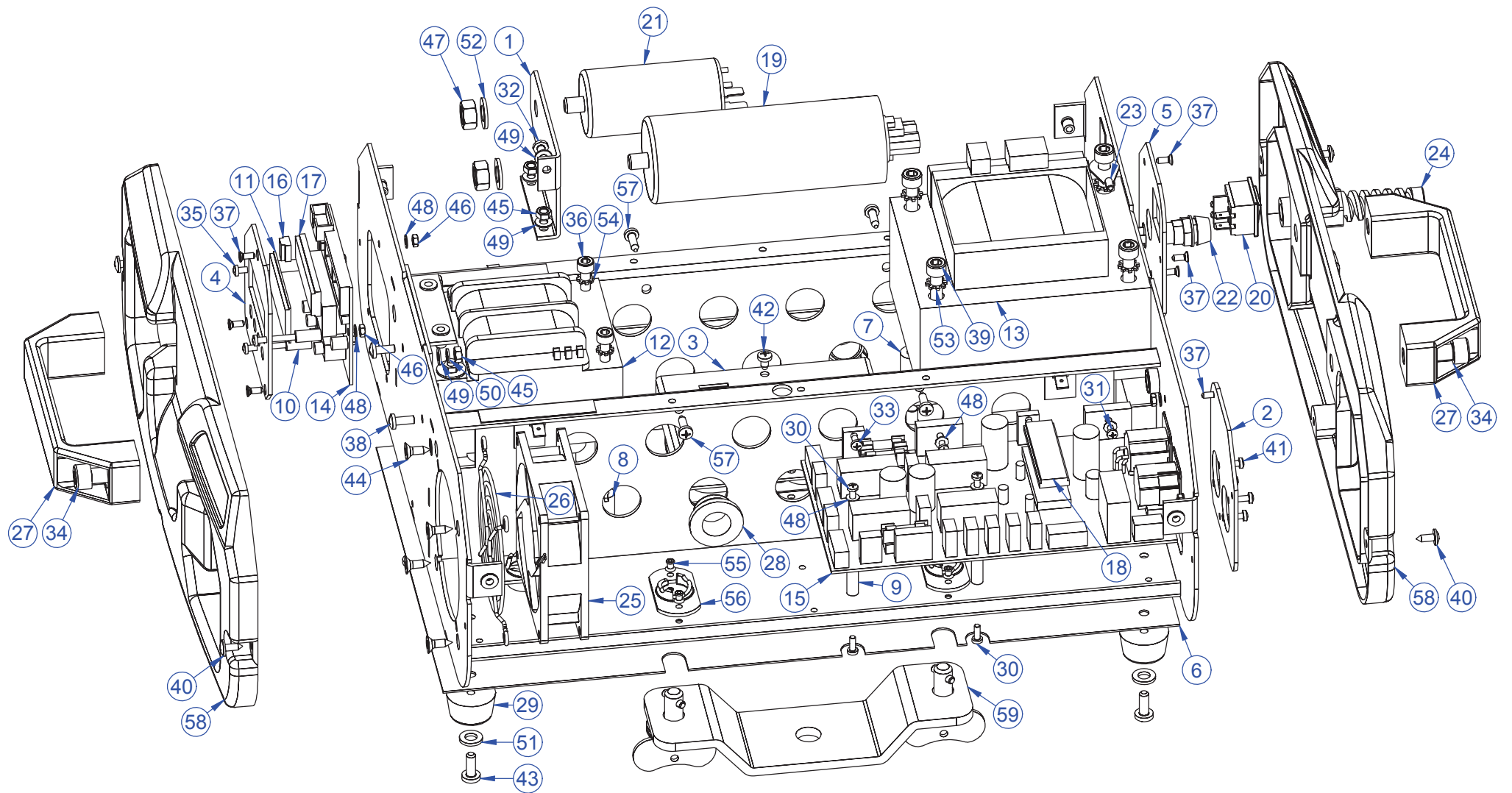
PRODUCT: Wash 575 XT		
TITLE: Reflector module		
DOCUMENT: 99010721		
VERSION: B	DATE: 3.4.2003	SHEET: 10 OF 14



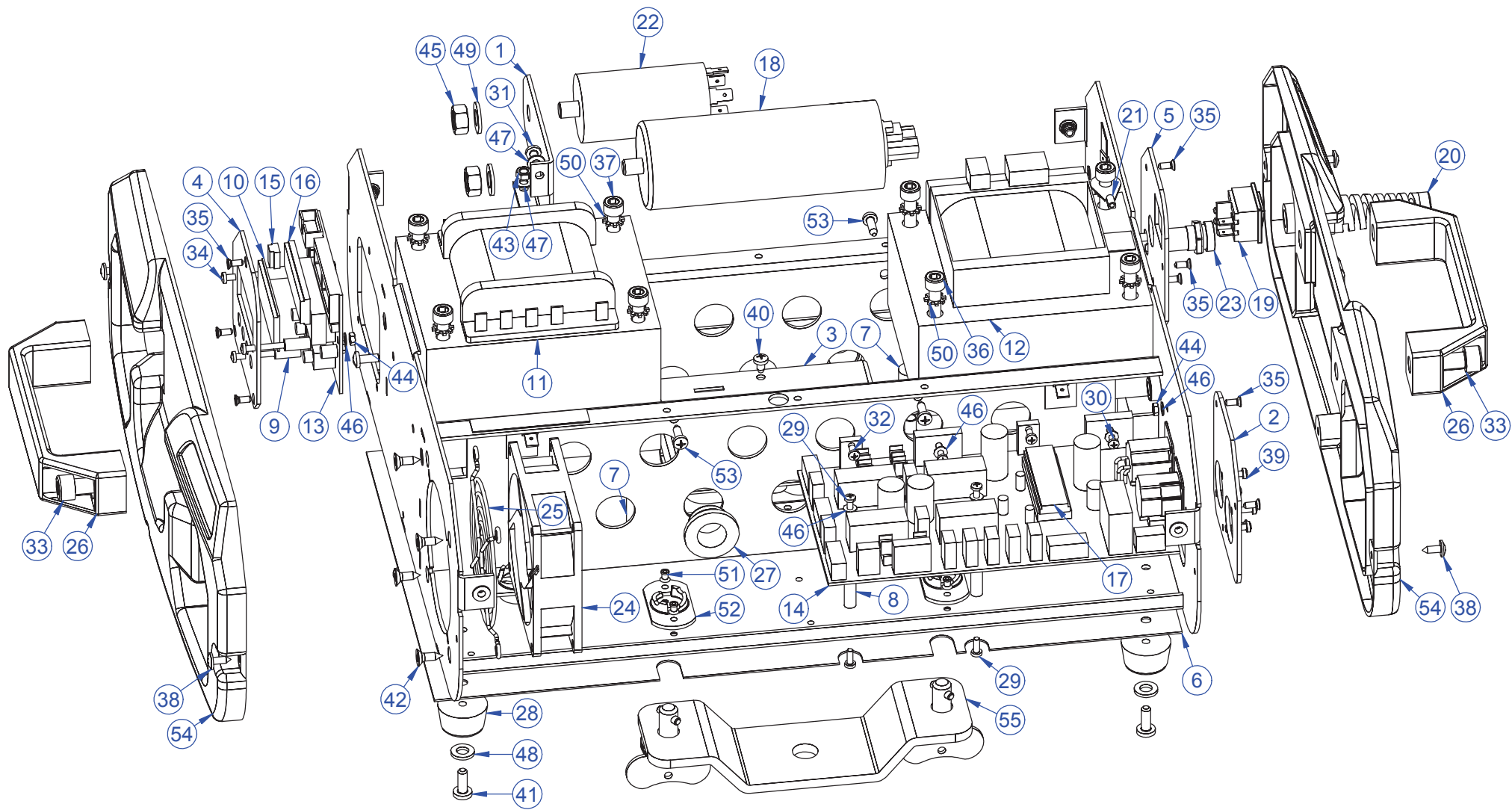
PRODUCT: Wash 575 XT		
TITLE: Arm of head		
DOCUMENT: 99010514		
VERSION: B	DATE: 3.4.2003	SHEET: 11 OF 14



PRODUCT: Wash 575 XT		
TITLE: Axe "X"		
DOCUMENT: 99010253		
VERSION: B	DATE: 3.4.2003	SHEET: 12 OF 14



PRODUCT: Wash 575 XT		
TITLE: Base -230V version		
DOCUMENT: 99010515		
VERSION: B	DATE: 3.4.2003	SHEET: 13 OF 14



PRODUCT: Wash 575 XT		
TITLE: Base - 120V version		
DOCUMENT: 99010529		
VERSION: B	DATE: 3.4.2003	SHEET: 14 OF 14